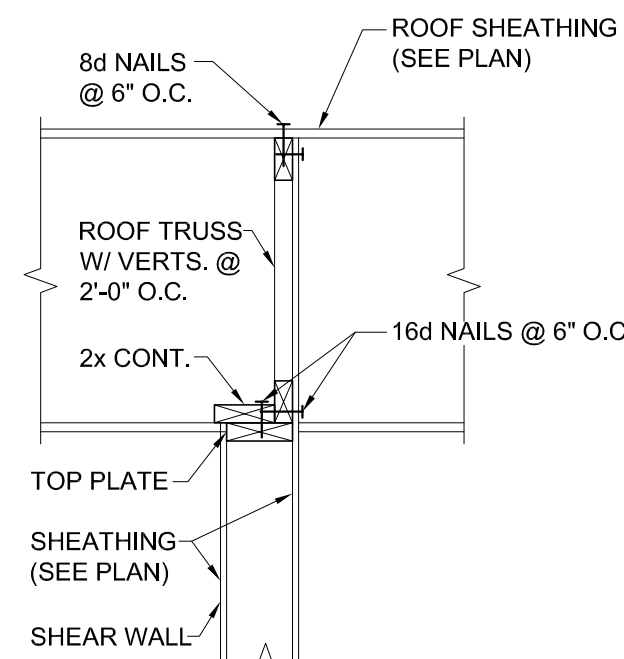
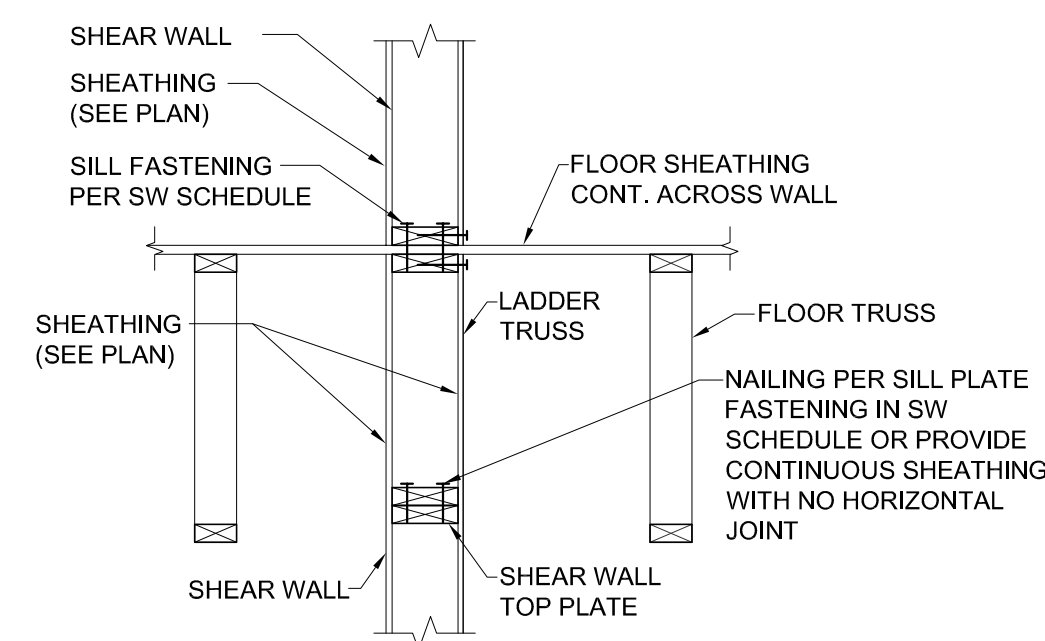


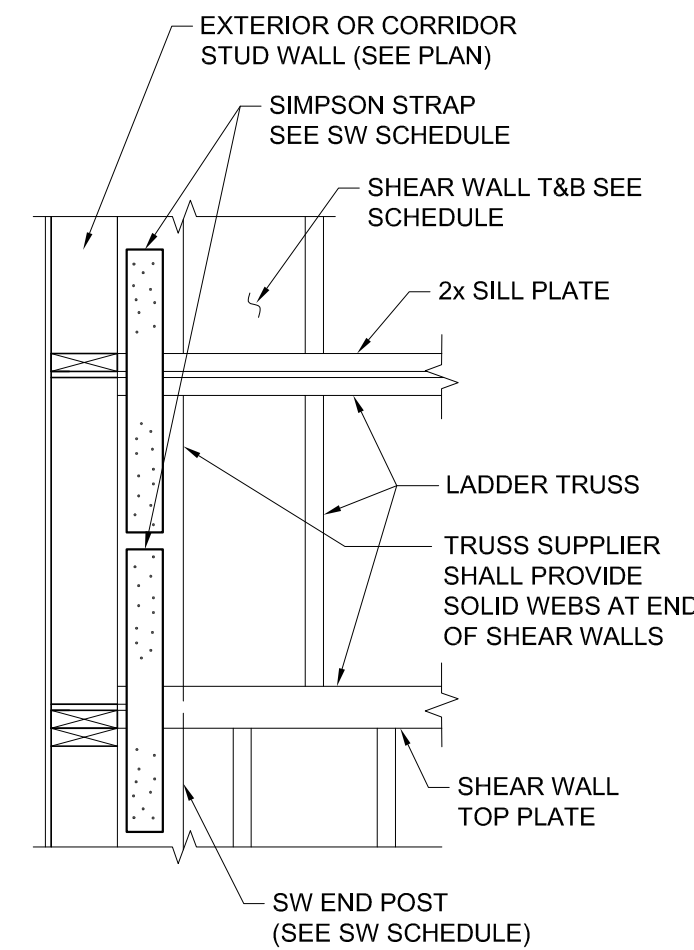
1 SHEAR WALL SECTION  
SCALE: NO SCALE



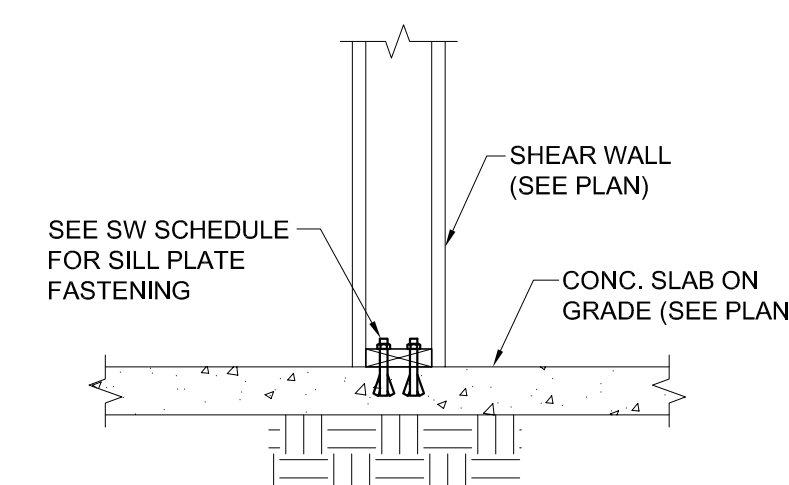
2 SHEAR WALL ROOF CONNECTION  
SCALE: NO SCALE



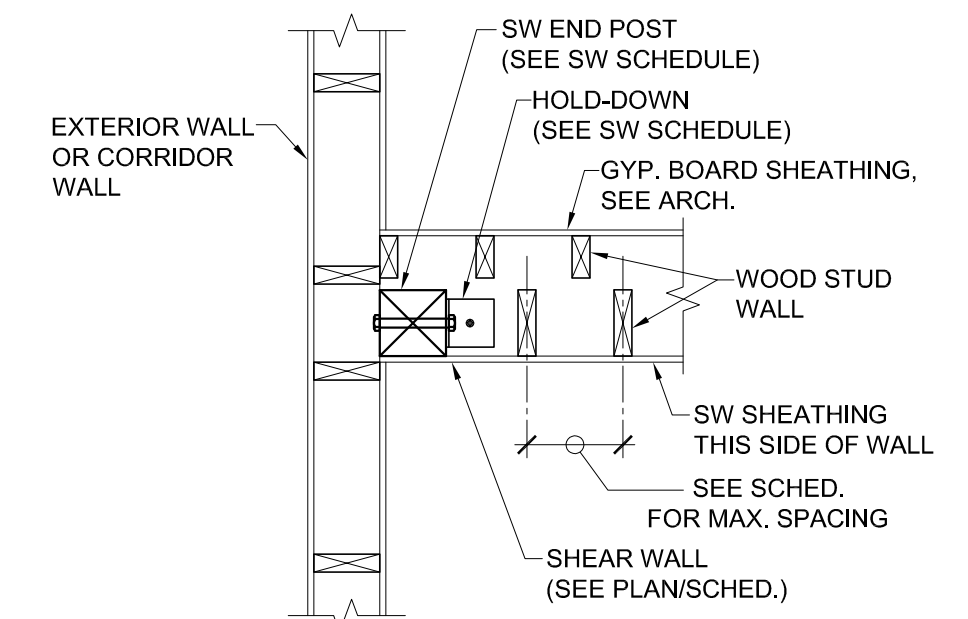
3 SHEAR WALL FLOOR CONNECTION  
SCALE: NO SCALE



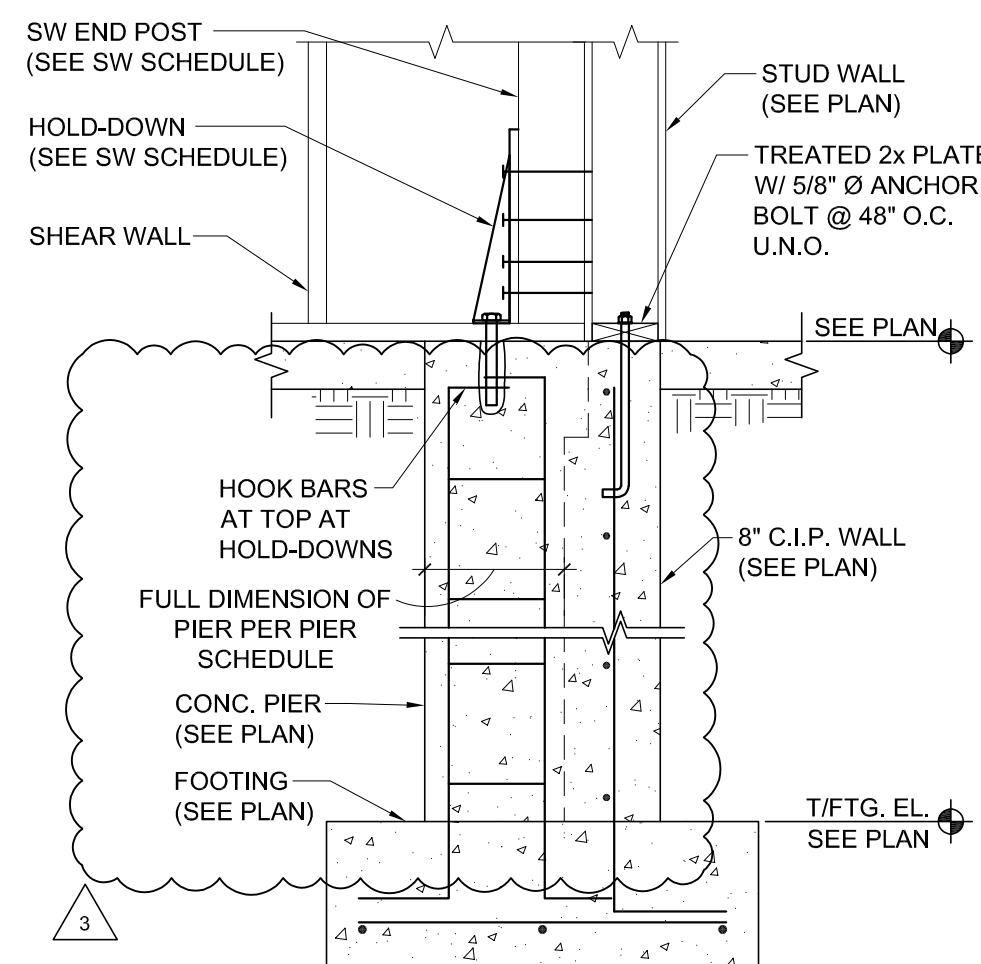
4 HOLD-DOWN AT WOOD FLOOR  
SCALE: NO SCALE



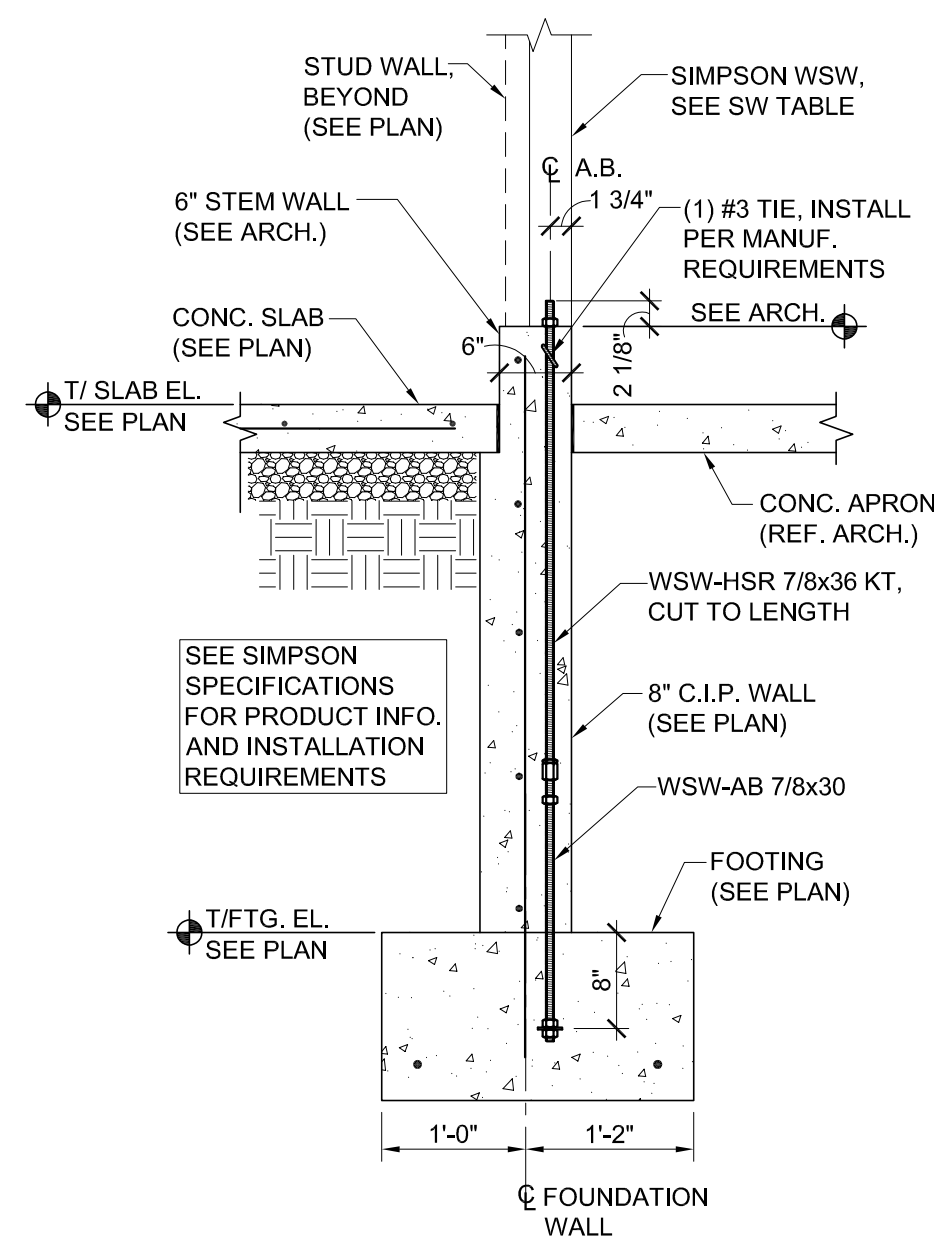
5 TYPICAL SHEAR WALL CONNECTION AT CONC. FLOOR  
SCALE: NO SCALE



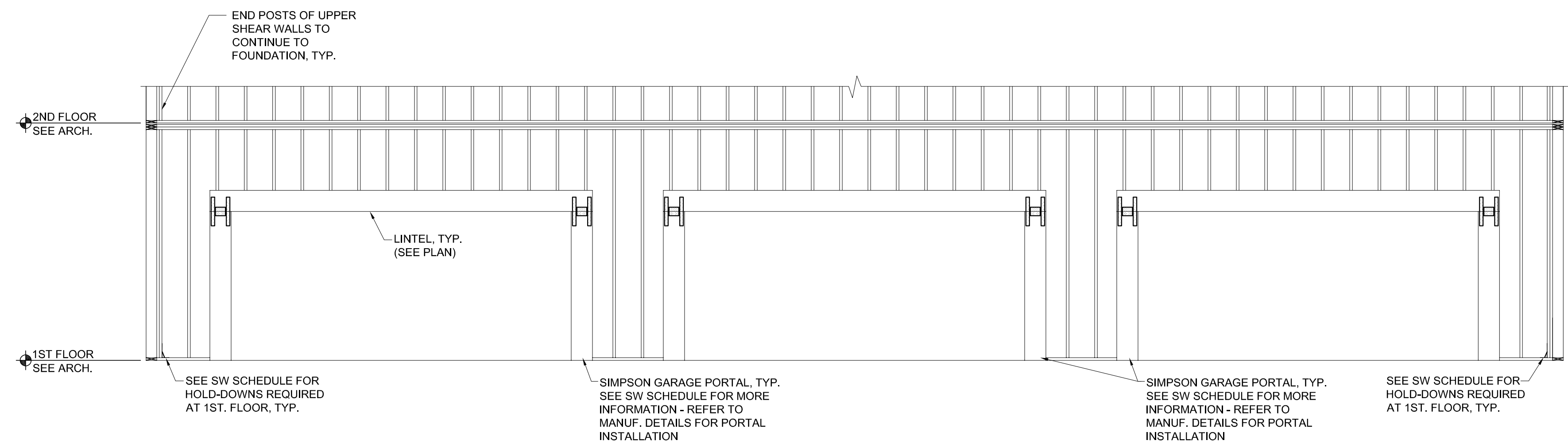
6 SHEAR WALL END POST DETAIL  
SCALE: NO SCALE



7 HOLD-DOWN DETAIL AT FROST WALL  
SCALE: NO SCALE



8 SECTION AT SIMPSON GARAGE PORTAL  
SCALE: NO SCALE



9 SW-5 FIRST FLOOR ELEVATION  
SCALE: NO SCALE

NO.	REVISION/ISSUE	DATE
3	FOUNDATION REVISIONS	11/04/25
2	MECHANICAL REVISIONS	10/07/25
1	REVISIONS	07/23/25
	PERMIT SET	03/06/25

JOB TITLE:  
**PARK & 3rd LOFTS**

ALEXANDRIA, MN

Registration Information :  
I hereby certify that this plan, specification or report was prepared by me or under my direct supervision and that I am a duly Licensed Engineer, under the laws of the State of Minnesota.  
Signature: *[Signature]*  
Name: JOSHUA HERZOG  
Date: 07/23/25 Reg. No.: 42392

**HERZOG ENGINEERING**  
1334 81<sup>ST</sup> AVE NE  
SPRING LAKE PARK, MN 55432  
(612) 844-1234  
WWW.HERZOGENGINEERING.COM

SHEET CONTENTS:  
SHEAR WALL DETAILS

PROJECT #: 251010  
DRWN. BY: CL  
CHKD. BY: JH  
SCALE: AS NOTED

SHEET #:  
**S501**